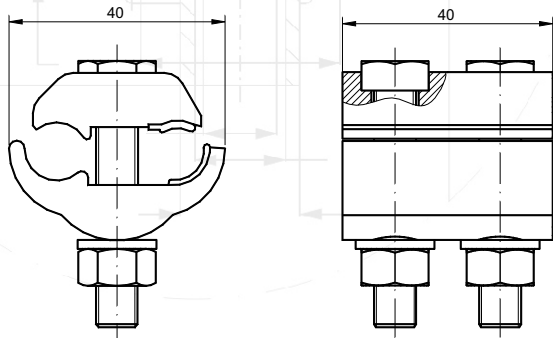


BRANCH ACCESSORIES

CD-45 Al-Al DERIVATION CLAMP

CD-45 Al-Al DERIVATION CLAMP is meant for the connection of two aluminium multiple conductors of 16-70 mm² section.

Overall dimensions: 40x40x50 mm.

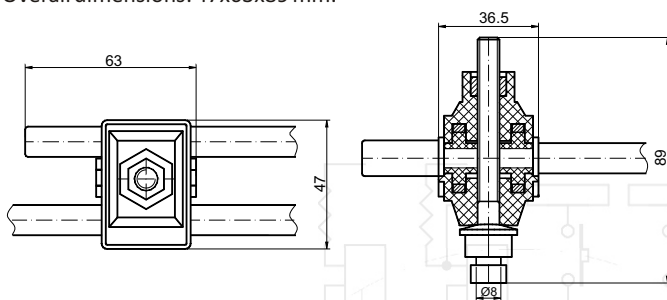


CDD-45 Al-Cu TOOTHED DERIVATION CLAMP

CDD-45 Al-Cu TOOTHED DERIVATION CLAMP is meant for the derivation connection of two aluminium or cooper stranded wires in branchings at an electric line of aluminium stranded wires, in the following combinations:

Option	Conductor		Section [mm ²]
CDD-45 Al Cu-00A	Line	Al	35...70
	Derivation	Cu or Al	16...25
CDD-45 Al Cu-00B	Line	Al	35...70
	Derivation	Cu	1.5...10
CDD-45 Al Cu-00C	Line	Al	35...70
	Derivation	Cu	2x(1.5...6)

Overall dimensions: 47x63x89 mm.



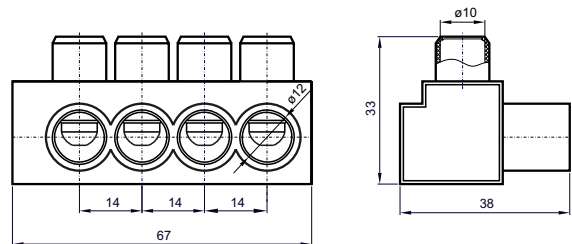
CL 2.5-50 Al-Cu DERIVATION PARALLEL CLAMP

CL 2.5-50 Al-Cu DERIVATION PARALLEL CLAMP is meant for the derivation - parallel connection of maximum four single-core or multiple core aluminium or copper conductors in branchings at an electric line of aluminium cables in the following combinations:



Option	Conductor		Section [mm ²]
CL 2.5-50 Al-Cu	Line	Al	10...50
	Derivation-parallel	Cu or Al	2.5...35 or 10...50

Overall dimensions: 38x33x67 mm.



AIC-150M,T CABLE ANCHORING CLAMP

The **AIC-150M CABLE ANCHORING CLAMP** is meant for fixing single-phase branching with coaxial cable 16 or 25 mm², while the **AIC-150T** type is meant for fixing three-phase branching with conductors of 16 mm².

Overall dimensions: 82x203 mm.

